

1

2

3

4

5

6

A

A

B

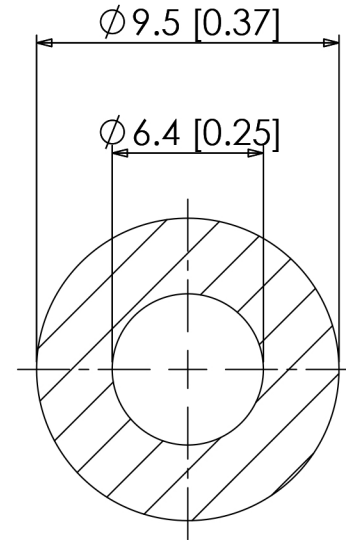
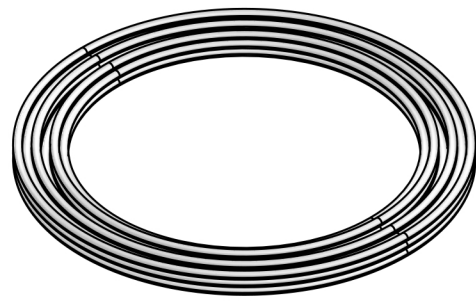
B

C

C

D

D



CROSS SECTION OF HOSE

1	Wayne Tsang			28/10/2019		
REV	CREATED	CHECKED	APPROVED	REV DATE	REF No.	REVISION SUMMARY
MATERIAL: NON-PHTHALATE POLYVINYL CHLORIDE						
THIS DRAWING IS CONFIDENTIAL AND IS THE PROPERTY OF THE WEST GROUP LTD AND MAY NOT BE REPRODUCED IN WHOLE OR IN PART, OR USED FOR ANY OTHER PURPOSE OTHER THAN THAT FOR WHICH IT IS SUPPLIED. ALL RIGHTS IN RESPECT OF PATENTS, DESIGN AND COPYRIGHTS RESERVED.					WEST GROUP LTD, UK TEL: +44 (0) 23 9226 6031 WWW.WESTGROUP.CO.UK SALES@WESTGROUP.CO.UK	
TITLE: 3/8" OD X 1/4" ID UN-REINFORCED FLEXIBLE PVC TUBE, CLEAR COLOUR - 30M						
		DIM'S mm[inch]	SCALE NTS	SIZE A4	SHEET 1 / 1	DOCUMENT NUMBER E-T-160098
						REVISION 1

