

# Silence is Golden



*For a quiet life*

**use our Compressed Air Silencers  
in Accordance with European Directive  
2003/10/EC (Noise)**

***Law Commencing 2006***



**THE WEST GROUP LIMITED**

Aston Road, Waterlooville, Hants, England, P07 7XJ

Tel: +44 (0)23 9226 6031

Fax: +44 (0)23 9224 0323

Email: [sales@westgroup.co.uk](mailto:sales@westgroup.co.uk)

[www.westgroup.co.uk](http://www.westgroup.co.uk)

# THE WEST GROUP LIMITED

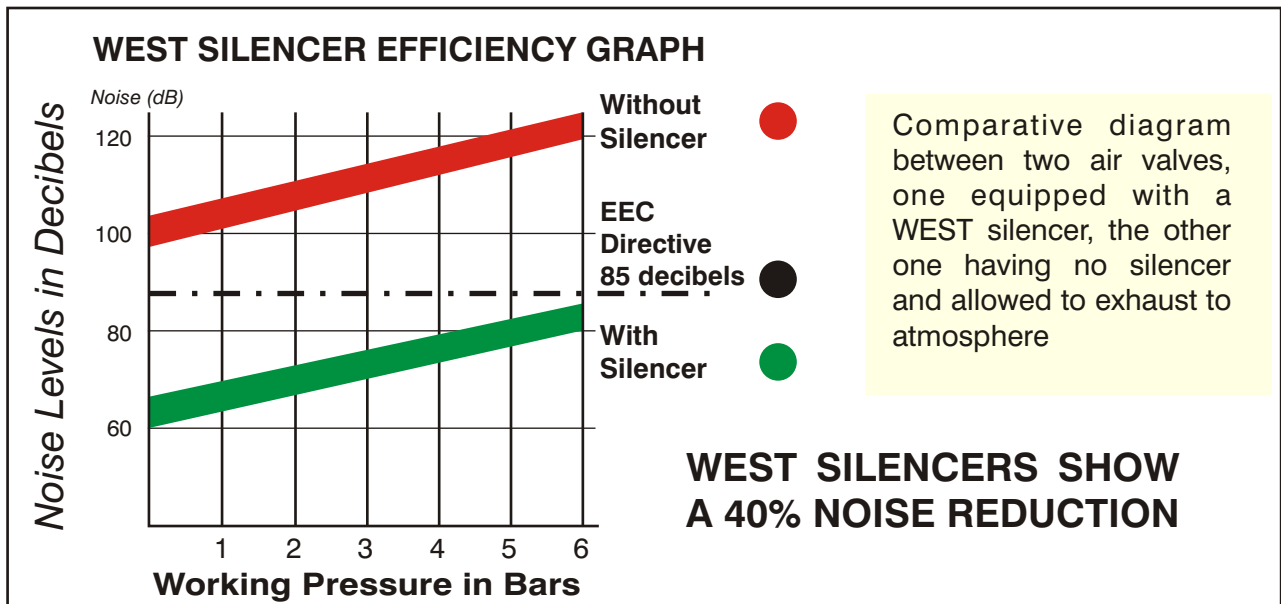
For over 35 years THE WEST GROUP has been a leading supplier and manufacturer of high quality compressed air equipment.

Remaining family owned, the company provides a unique range of products which comply with internationally recognised safety standards.

This catalogue features compressed air silencers which will aid machinery manufacturers and users of compressed air to comply with the European Directive 2003/10/EC (Noise).

The European Union Directive states that workers must not be exposed to a weekly noise exposure level exceeding 85 decibels.

The West silencers featured within this catalogue will reduce noise emissions from previously non-silenced valves by approximately 40%.



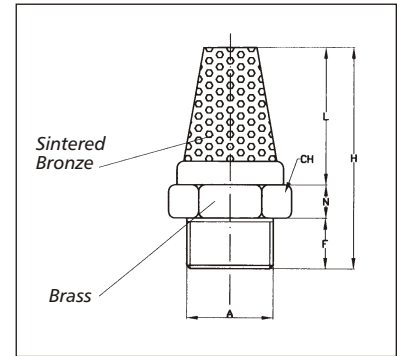
## INDEX

<b>PAGE ONE</b>	MODEL CO-SBE ★	MODEL CO-SBT	MODEL CO-SBT-T	MODEL CO-SCQ	<b>PAGE TWO</b>	MODEL CO-SCT	MODEL CO-MAXI ★	MODEL CO-SFE ★	MODEL CO-SFE X ★
<b>PAGE THREE</b>	MODEL CO-SFT	MODEL CO-SBP	MODEL CO-SEP ★	MODEL CO-SP ★	<b>PAGE FOUR</b>	MODEL CO-SEB	MODEL CO-SET	MODEL CO-STT	MODEL CO-SBEX
<b>PAGE FIVE</b>	MODEL CO-SAC ★	MODEL CO-SVL	MODEL CO-SVE	MODEL CO-RBP ★	<p>★ DENOTES PREFERRED STOCK ITEMS</p> <p>For Non-Stock items please allow two weeks delivery</p> <p>For Quantity discounts, Nickel plating and Non-Standard thread forms consult The West Group Ltd</p>				

## MODEL CO-SBE Sintered Bronze/Brass Silencer with Hexagon Tightening



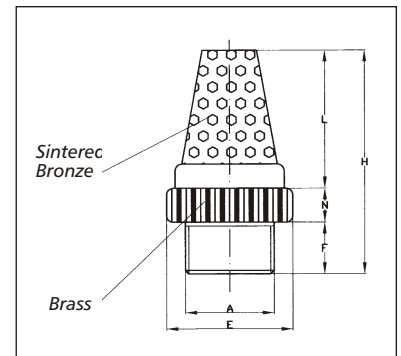
THREAD	N	F	L	H	CH
A					
M 5	4	4	9	17	8
1/8" FEM BSP	8	7	15	30	13
1/8" BSP	8	6	15	29	13
1/4" BSP	8	7	17	32	16
3/8" BSP	7	8	25	40	19
1/2" BSP	9	9	27	45	24
3/4" BSP	10	9	37	56	30
1" BSP	10	11	45	66	36



## MODEL CO-SBT Sintered Bronze/Brass Silencer with Knurled Tightening



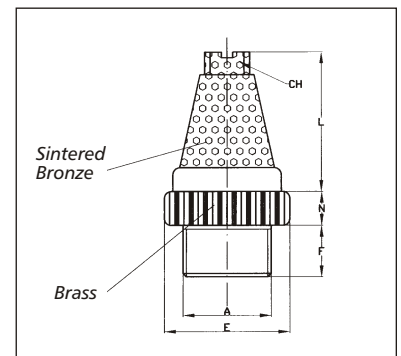
THREAD	E	F	L	H	N
A					
M 5	11	5	15	24	4
1/8" BSP	12	6	15	25	4
1/4" BSP	16	7	20	30	3
3/8" BSP	19	8	27	38	3
1/2" BSP	23	10	28	42	4
3/4" BSP	29	10	38	52	4
1" BSP	36	12	46	65,5	7,5



## MODEL CO-SBT-T Sintered Bronze/Brass Silencer with Screwdriver Tightening Option



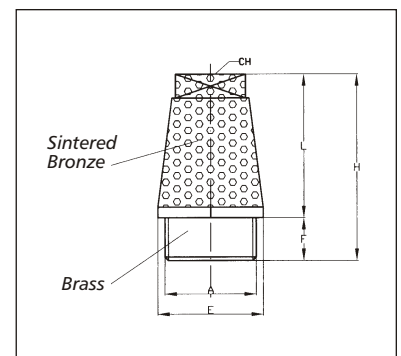
THREAD	E	F	L	N	CH
A					
1/8" BSP	12	6	15	4	6
1/4" BSP	16	7	20	3	7
3/8" BSP	19	8	27	3	10
1/2" BSP	23	10	28	4	13
3/4" BSP	29	10	38	4	17
1" BSP	36	12	46	7,5	22



## MODEL CO-SCQ Sintered Bronze/Brass Silencer with Spanner Flats Tightening



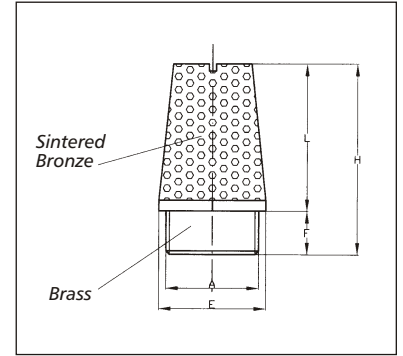
THREAD	E	F	L	H	CH
A					
1/8" BSP	12	6	15	21	7
1/4" BSP	15	6	19	25	8
3/8" BSP	19	8	28	38	10
1/2" BSP	23	10	33	43	14
3/4" BSP	29	13	40	53	17
1" BSP	36	15	48	63	23



## MODEL CO-SCT Sintered Bronze/Brass Silencer with Screwdriver Slot Tightening



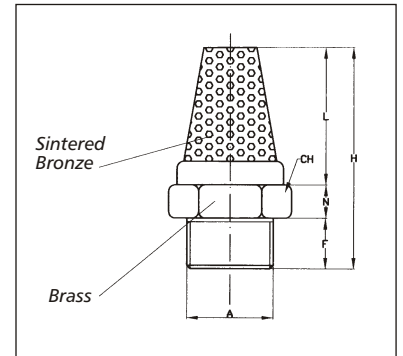
THREAD	E	F	L	H
A				
1/8" BSP	12	6	15	21
1/4" BSP	15	6	19	25
3/8" BSP	19	8	28	36
1/2" BSP	23	10	33	43
3/4" BSP	30	13	40	53
1 BSP	38	15	48	63



## MODEL MAXI Maximum Flow Sintered Bronze Silencer with Brass Body



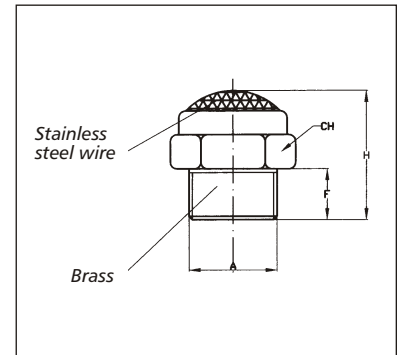
THREAD	N	F	L	H	CH
A					
3/4" BSP	7	12	190	209	50
1" BSP	7	12	190	209	50
1 1/4" BSP	7	15	190	212	50
1 1/2" BSP	7	15	190	212	50
2" BSP	10	17	190	217	65



## MODEL CO-SFE Low Profile Silencer with Brass Body - Stainless Wire Element



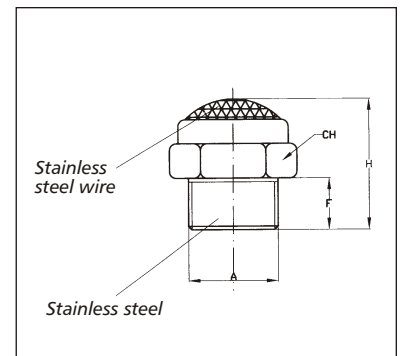
THREAD	F	H	CH
A			
M 5	4	8	8
1/8" FEM BSP	7	18	14
1/8" BSP	6	15	13
1/4" BSP	7	18	16
3/8" BSP	8	20	19
1/2" BSP	10	22	24
3/4" BSP	10	26	30
1 BSP	12	28	36



## MODEL CO-SFE X All Stainless Low Profile Silencer



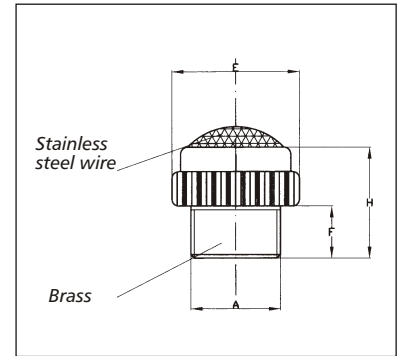
THREAD	F	H	CH
A			
1/8" BSP	6	15	13
1/4" BSP	7	18	16
3/8" BSP	8	20	19
1/2" BSP	10	22	24
3/4" BSP	10	26	30
1 BSP	12	28	36



## MODEL CO-SFT Low Profile Knurled Silencer Brass Body/Stainless Element



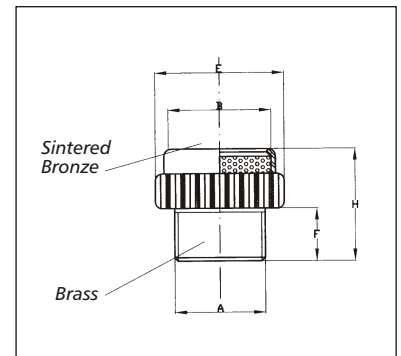
THREAD	F	H	E
A			
M5	5	12	11
1/8" BSP	6	13	12
1/4" BSP	7	14	16
3/8" BSP	8	18	19
1/2" BSP	10	19	23
3/4" BSP	10	22	29
1 BSP	12	23	36



## MODEL CO-SBP Low Profile Knurled Silencer Brass Body Sintered Bronze Element



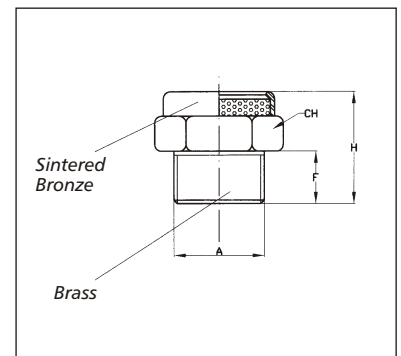
THREAD	B	E	F	H
A				
M5	11	12	5	11,5
1/8" BSP	11	12	6	12
1/4" BSP	14	16	7	13
3/8" BSP	17	19	8	17
1/2" BSP	22	23	10	18
3/4" BSP	28	29	10	20
1 BSP	35	36	12	21



## MODEL CO-SEP Low Profile Silencer With Hexagon Tightening



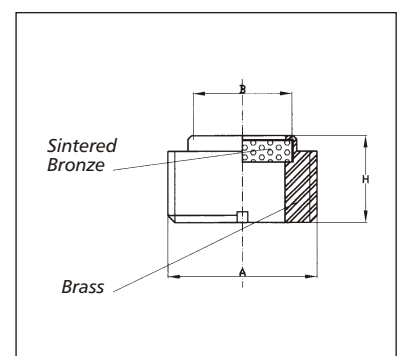
THREAD	CH	F	H
A			
M5	8	5	12
1/8" FEM BSP	14	7	17
1/8" BSP	13	6	14
1/4" BSP	16	7	17
3/8" BSP	19	8	18
1/2" BSP	24	10	20
3/4" BSP	30	10	23
1 BSP	36	4	8



## MODEL CO-SP Threaded Insertion Silencer Brass Body Sintered Bronze Element



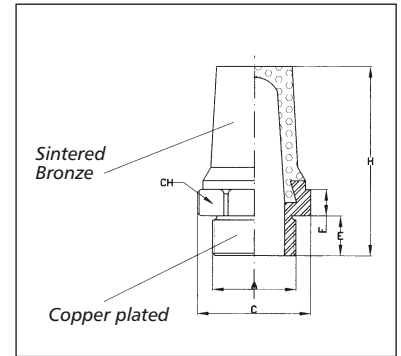
THREAD	B	H
A		
1/8" BSP	6	5
1/4" BSP	8	6
3/8" BSP	10	7
1/2" BSP	15	8
3/4" BSP	20	9
1 BSP	26	10



## MODEL CO-SEB Sintered Bronze Silencer With Copper Plated Body



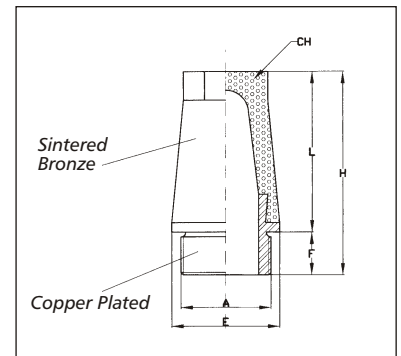
THREAD	C	CH	E	F	H
A					
M 5	8	7	5,5	3,5	17
1/8" BSP	12,6	12	4,5	3,8	20,5
1/4" BSP	16	15	6	4,5	26,5
3/8" BSP	20	19	7	5,4	33,9
1/2" BSP	24,5	23	8	6	40,5
3/4" BSP	32	30	9	7,5	51,5
1 BSP	38,5	36	11	9	66



## MODEL CO-SET Hexagon Insertion Sintered Bronze Silencer With Copper Plated Body



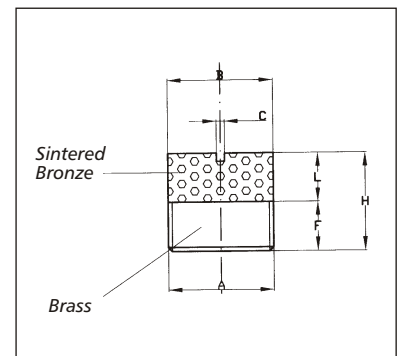
THREAD	E	F	L	H	CH
A					
M5	8,5	5	15	20	diam.7,5
1/8" BSP	11,5	4,5	13	17,5	8
1/4" BSP	15	6	18	24	10
3/8" BSP	19	7	24	31	13
1/2" BSP	23	8	29	37	14
3/4" BSP	30	9	41	50	19
1" BSP	37	11	51	62	24



## MODEL CO-STT Screwdriver Slot, Sintered Bronze Brass Bodied, Threaded Insert



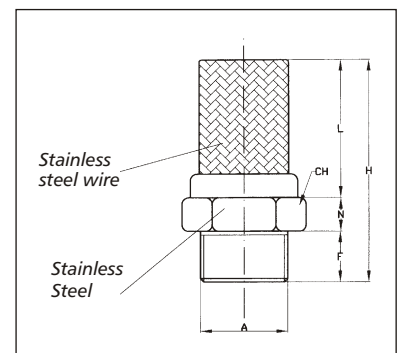
THREAD	B	F	L	H	C
A					
BSP	10	6	6	12	1,5
1/4" BSP	13	6	6	12	1,5
3/8" BSP	17	7	8	15	1,5
1/2" BSP	24,5	23	8	6	1,5
3/4" BSP	32	30	9	7,5	1,5
1 BSP	38,5	36	11	9	1,5



## MODEL CO-SBEX All Stainless - Wire Element, Stainless Body



THREAD	N	F	L	H	CH
A					
1/8" BSP	8	6	15	29	13
1/4" BSP	8	7	17	32	16
3/8" BSP	7	8	25	40	19
1/2" BSP	9	9	27	45	24

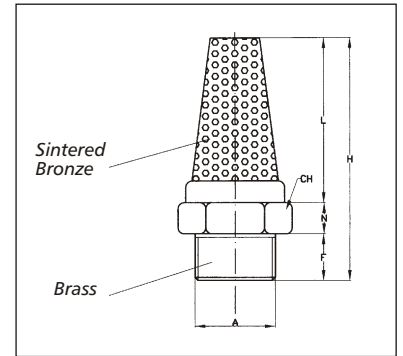


## MODEL CO-SAC High Flow Silencer - Brass Body Sintered Bronze Element



★

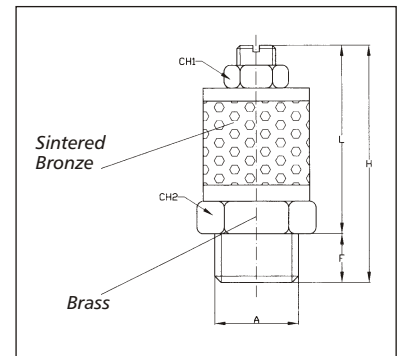
THREAD	N	F	L	H	CH
A					
M5	4	4	18	26	8
1/8" FEM BSP	8	7	30	45	13
1/8" BSP	8	6	30	44	13
1/4" BSP	8	7	35	50	16
3/8" BSP	7	8	39	54	19
1/2" BSP	9	9	49	67	24
3/4" BSP	10	9	46	65	30
1 BSP	10	11	56	77	36



## MODEL CO-SVL Tubular Silencer Brass Body-Sintered Bronze Element



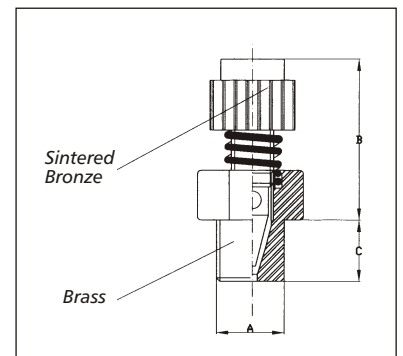
THREAD	F	LMIN	LMAX	HMIN	HMAX	CH1	CH2
A							
M 5	3,5	13	18	16	21	6	8
1/8" BSP	8	30	36	38	44	10	16
1/4" BSP	9	30	36	39	45	10	16
3/8" BSP	10	37	50	47	60	10	22
1/2" BSP	11	37	50	48	61	10	22
3/4" BSP	11	56	80	68	92	13	30
1" BSP	11	56	80	68	92	13	36



## MODEL CO-SVE Sintered Bronze Silencer With Integral Flow Control



THREAD	MIN B	MAX B	C
A			
1/8" BSP	20	22	6
1/4" BSP	22	24	8
3/8" BSP	25	28	10
1/2" BSP	26	29	11
3/4" BSP	32	37	12
1 BSP	32	37	12

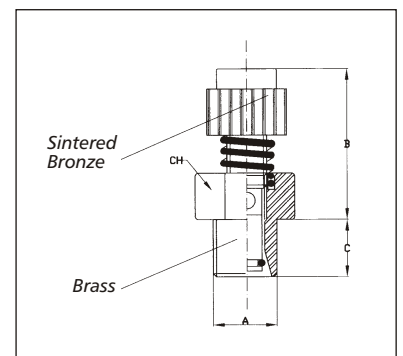


## MODEL CO-RBP Low Profile Sintered Bronze Silencer With Integral Flow Control



★

THREAD	MIN B	MAX B	F	CH
A				
1/8" BSP	14	19	6	12
1/4" BSP	17	22	8	15
3/8" BSP	18	24	9	19
1/2" BSP	18	24	10,5	22



## YOUR SPECIAL NEEDS ARE NOT A PROBLEM!



SINTERED PRODUCTS IN BRONZE



STAINLESS STEEL SINTERED PRODUCTS



WOVEN WIRE PRODUCTS  
in Stainless, Bronze, Copper and other materials

If you are unable to find what you are looking for in our standard products, please contact our technical sales team.

The West Group has for many years taken pride from its ability to supply sintered and woven wire products in solving and meeting individual customer requirements.

Some examples of these high quality, yet economically priced products are photographed on this page.

Our trained and experienced technical staff will be happy to receive your enquiry and provide you with a prompt quotation.

Facilities are available to supply pre-production samples upon your acceptance of our quotation.

**We look forward to being of service - contact us today.**



BS EN ISO 9001 (2000 Revision)  
Certificate No. 460



## THE WEST GROUP LIMITED

Aston Road, Waterlooville, Hants, England, PO7 7XJ

Tel: +44 (0)23 9226 6031  
Fax: +44 (0)23 9224 0323

Email: [sales@westgroup.co.uk](mailto:sales@westgroup.co.uk)  
[www.westgroup.co.uk](http://www.westgroup.co.uk)

## THE WESTGROUP COMPRESSED AIR SILENCERS PRICE LIST

	M5	1/8FEM	1/8	1/4	3/8	1/2	3/4 1"	1" 1/4	1" 1/2	2"
<b>PAGE 1</b>										
CO-SBE *	£ 1.07	£ 1.40	£ 1.06	£ 1.40	£ 2.72	£ 3.45	£ 7.08	£ 10.57		
CO-SBT	£ 0.90		£ 0.89	£ 1.26	£ 2.28	£ 3.50	£ 6.32	£ 9.99		
CO-SBT-T			£ 1.04	£ 1.46	£ 2.57	£ 3.77	£ 6.66	£ 10.68		
CO-SCQ			£ 1.02	£ 1.46	£ 2.57	£ 3.59	£ 6.66	£ 11.10		
<b>PAGE 2</b>										
CO-SCT			£ 1.02	£ 1.46	£ 2.57	£ 3.59	£ 6.66	£ 11.10		
CO-MAXI *							£109.81	£109.81	£115.31	£ 138.28
CO-SFE *	£ 0.70	£ 0.85	£ 0.72	£ 0.96	£ 1.63	£ 2.29	£ 4.15	£ 7.00		
CO-SFE-X *	£ 3.95		£ 5.69	£ 7.73	£ 10.57	£ 16.27	£ 19.20	£ 25.86		
<b>PAGE 3</b>										
CO-SFT	£ 0.86		£ 0.74	£ 0.98	£ 1.62	£ 2.16	£ 4.10	£ 6.92		
CO-SBP	£ 0.65		£ 0.60	£ 0.80	£ 1.53	£ 2.12	£ 3.84	£ 6.41		
CO-SEP *	£ 0.60	£ 0.79	£ 0.60	£ 0.79	£ 1.46	£ 2.10	£ 3.82	£ 6.40		
CO-SP *			£ 0.75	£ 0.85	£ 1.71	£ 2.36	£ 4.27	£ 7.00		
<b>PAGE 4</b>										
CO-SEB	£ 0.86		£ 0.89	£ 1.20	£ 2.13	£ 2.76	£ 6.41	£ 9.65		
CO-SET	£ 0.81		£ 0.89	£ 1.26	£ 2.22	£ 2.95	£ 6.30	£ 9.84		
CO-STT-ST			£ 1.35	£ 1.56	£ 2.21	£ 2.88	£ 4.68	£ 7.52		
CO-SBEX	£ 6.11		£ 5.45	£ 6.92	£ 9.23	£ 15.45				
<b>PAGE 5</b>										
CO-SAC *	£ 1.50	£ 2.03	£ 1.50	£ 2.03	£ 3.66	£ 5.21	£ 9.35	£ 15.05		
CO-SVL	£ 4.28		£ 3.76	£ 4.02	£ 7.77	£ 8.03	£ 15.38	£ 22.20		
CO-SVE			£ 2.31	£ 2.57	£ 4.35	£ 4.53	£ 11.54	£ 16.65		
CO-RBP *			£ 2.20	£ 2.44	£ 4.07	£ 4.23				

For quantity discounts, nickel plating and non-standard thread forms kindly contact The Westgroup Ltd

Tel: 02392 266031

\* PREFERRED STOCK.