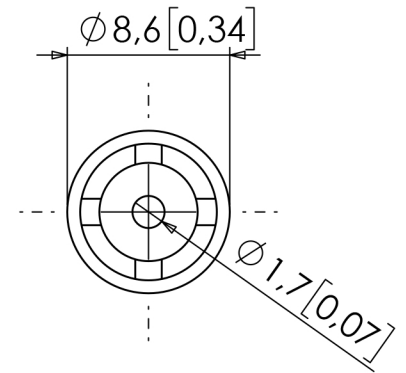
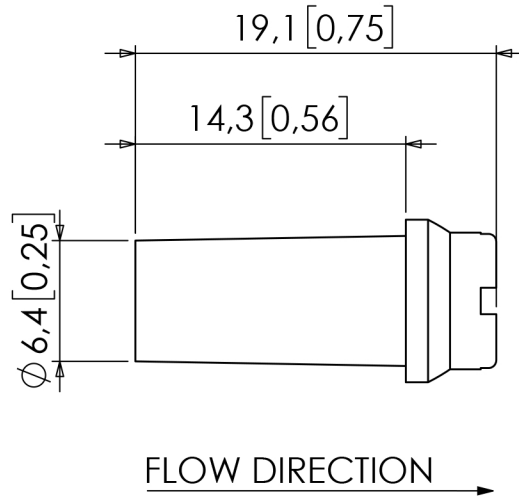


O.D. FLASH: 0.015 MAX. (0.4MM)

GATE VESTIGE: 0.01 MAX. (0.3MM)

EMBEDDED PARTICLES, BUBBLES, SPOTS, STAINS: 0.3mm²
MAX. NO MORE THAN 3 PER PART.



1	Wayne Tsang <small>Digitally signed by Wayne Tsang Date: 2019.10.10 14:43:17 +0100</small>			10/10/2019	
REV	CREATED	CHECKED	APPROVED	DWG DATE	REF
MATERIAL: POLYPROPYLENE, SILICONE					
THIS DRAWING IS CONFIDENTIAL AND IS THE PROPERTY OF THE WEST GROUP LTD AND MAY NOT BE REPRODUCED IN WHOLE OR IN PART, OR USED FOR ANY OTHER PURPOSE OTHER THAN THAT FOR WHICH IT IS SUPPLIED. ALL RIGHTS IN RESPECT OF PATENTS, DESIGN AND COPYRIGHTS RESERVED.				WEST GROUP LTD, UK TEL: +44 (0) 23 9226 6031 WWW.WESTGROUP.CO.UK SALES@WESTGROUP.CO.UK	
TITLE: CATHETER CHECK VALVE FOR 1/4" ID TUBING, CLEAR POLYPROPYLENE					
		DIM'S mm[inch]	SCALE NTS	SIZE A4	SHEET 1 / 1
				DOCUMENT NUMBER E-C-190041	REVISION 1

