

1

2

3

4

5

6

A

A

B

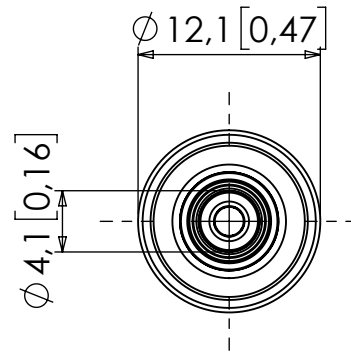
B

C

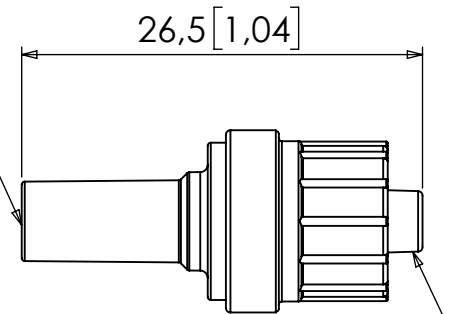
C

D

D

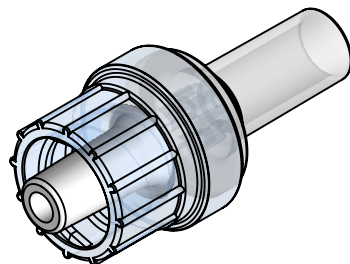


4.1mm BOND-IN PORT



MALE LUER LOCK

FLOW DIRECTION →



1				29/11/2022	FIRST RELEASE
REV	CREATED	CHECKED	APPROVED	DWG DATE	REVISION SUMMARY

MATERIAL: MABS, SILICONE

THIS DRAWING IS CONFIDENTIAL AND IS THE PROPERTY OF THE WEST GROUP LTD AND MAY NOT BE REPRODUCED IN WHOLE OR IN PART, OR USED FOR ANY OTHER PURPOSE OTHER THAN THAT FOR WHICH IT IS SUPPLIED. ALL RIGHTS IN RESPECT OF PATENTS, DESIGN AND COPYRIGHTS RESERVED.

WEST GROUP LTD, UK  
TEL: +44 (0) 23 9226 6031  
WWW.WESTGROUP.CO.UK  
SALES@WESTGROUP.CO.UK



TITLE: MABS LUER CHECK VALVE WITH TPE TAPER, SILICONE DISC, 4.1MM BOND-IN PORT TO MALE LUER LOCK, 0.2 BAR CRACKING PRESSURE

	DIM'S mm[inch]	SCALE NTS	SIZE A4	SHEET 1 / 1	DOCUMENT NUMBER E-C-200002	REVISION 1
--	-------------------	--------------	------------	----------------	-------------------------------	---------------

1

2

3

4

5

6