

1

2

3

4

5

6

A

A

B

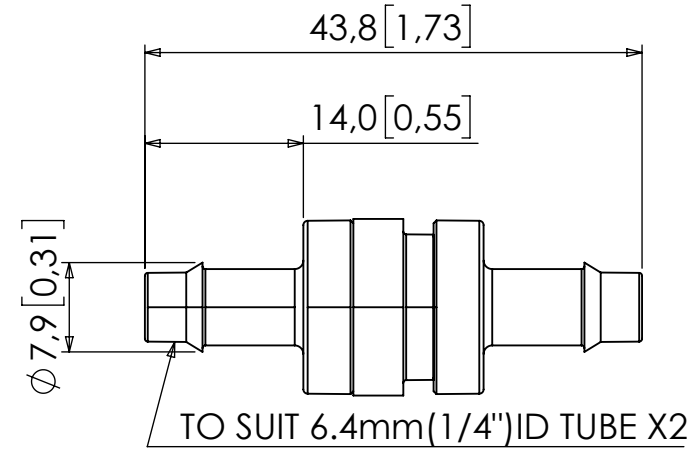
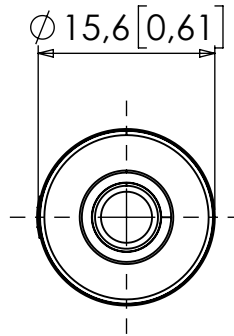
B

C

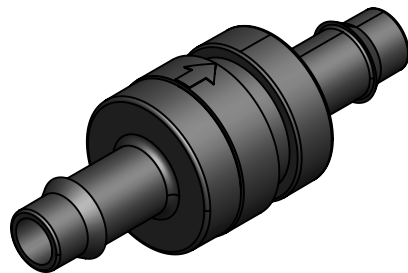
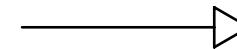
C


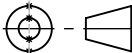
D

D



FLOW DIRECTION



1				21/09/2023	FIRST RELEASE
REV	CREATED	CHECKED	APPROVED	DWG DATE	REVISION SUMMARY
MATERIAL: NYLON, VITON					
THIS DRAWING IS CONFIDENTIAL AND IS THE PROPERTY OF THE WEST GROUP LTD AND MAY NOT BE REPRODUCED IN WHOLE OR IN PART, OR USED FOR ANY OTHER PURPOSE OTHER THAN THAT FOR WHICH IT IS SUPPLIED. ALL RIGHTS IN RESPECT OF PATENTS, DESIGN AND COPYRIGHTS RESERVED.				 WEST GROUP LTD, UK TEL: +44 (0) 23 9226 6031 WWW.WESTGROUP.CO.UK SALES@WESTGROUP.CO.UK	
TITLE: NYLON UMBRELLA CHECK VALVE, VITON SEAL, 6.4MM (1/4" ID TUBE (X2), 0.75 PSI CRACKING PRESSURE					
	DIM'S mm[inch]	SCALE NTS	SIZE A4	SHEET 1 / 1	DOCUMENT NUMBER WG-E-C-230022
					REVISION 1

1

2

3

4

5

6