

1

2

3

4

5

6

A

A

B

B

C

C

D

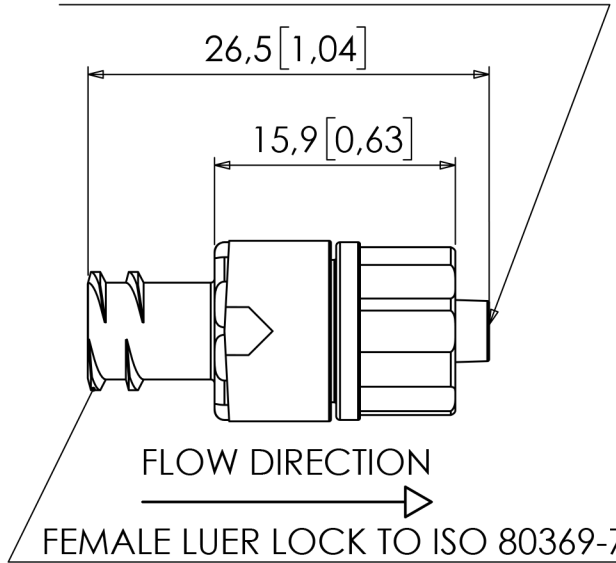
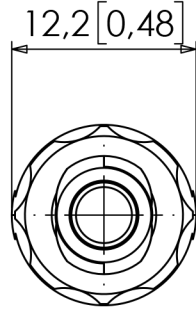
D

MALE LUER LOCK TO ISO 80369-7

26,5 [1,04]

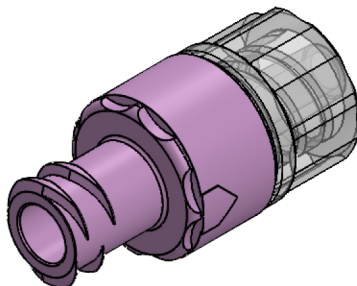
15,9 [0,63]

12,2 [0,48]



FLOW DIRECTION

FEMALE LUER LOCK TO ISO 80369-7



1	Wayne Tsang <small>Digitally signed by Wayne Tsang Date: 2024.03.13 15:28:54 z</small>	Sophie Stapleton <small>Digitally signed by Sophie Stapleton Date: 2024.03.20 15:28:54 z</small>	13/03/2026	FIRST RELEASE
REV	CREATED	CHECKED	APPROVED	DWG DATE
REVISION SUMMARY				

MATERIAL: ABS, POLYSTYRENE, SILICONE

THIS DRAWING IS CONFIDENTIAL AND IS THE PROPERTY OF THE WEST GROUP LTD AND MAY NOT BE REPRODUCED IN WHOLE OR IN PART, OR USED FOR ANY OTHER PURPOSE OTHER THAN THAT FOR WHICH IT IS SUPPLIED. ALL RIGHTS IN RESPECT OF PATENTS, DESIGN AND COPYRIGHTS RESERVED.



WEST GROUP LTD, UK
TEL: +44 (0) 23 9226 6031
WWW.WESTGROUP.CO.UK
SALES@WESTGROUP.CO.UK

TITLE: ISO 80369-7 ABS BODIED CHECK VALVE, SILICONE SEAL, FEMALE LUER LOCK TO MALE LUER LOCK, CRACKING PRESSURE ≤ 0.1 PSI

	DIM'S mm[inch]	SCALE NTS	SIZE A4	SHEET 1 / 1	DOCUMENT NUMBER E-C-FLML-ABS-S01	REVISION 1
--	-------------------	--------------	------------	----------------	-------------------------------------	---------------

1

2

3

4

5

6