

1

2

3

4

5

6

A

A

B

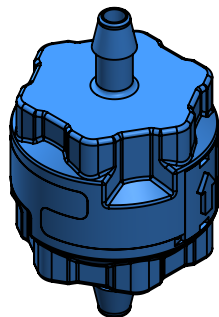
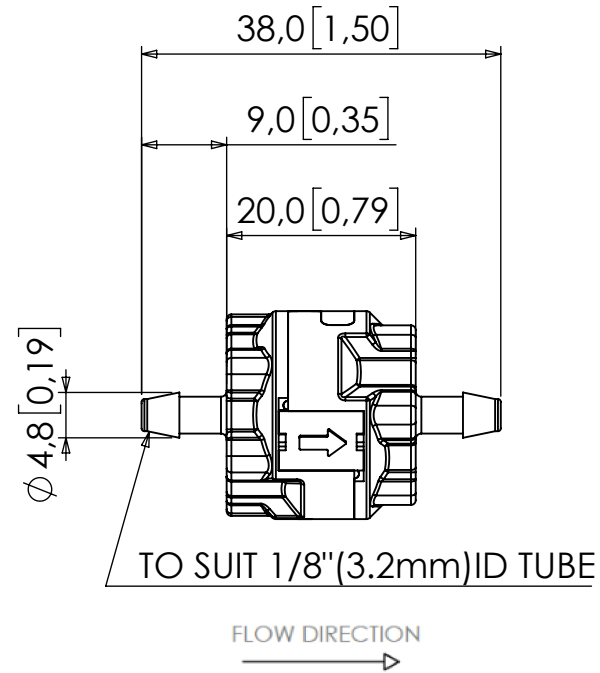
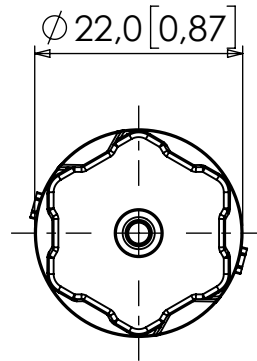
B




C

C

D

D



1				07/11/2025	FIRST RELEASE
REV	CREATED	CHECKED	APPROVED	REV DATE	REVISION SUMMARY
MATERIAL: GLASS FILLED POLYPROPYLENE, POLYPROPYLENE, BUNA-N (NITRILE), 302 STAINLESS STEEL					
THIS DRAWING IS CONFIDENTIAL AND IS THE PROPERTY OF THE WEST GROUP LTD AND MAY NOT BE REPRODUCED IN WHOLE OR IN PART, OR USED FOR ANY OTHER PURPOSE OTHER THAN THAT FOR WHICH IT IS SUPPLIED. ALL RIGHTS IN RESPECT OF PATENTS, DESIGN AND COPYRIGHTS RESERVED.				 WEST GROUP LTD, UK TEL: +44 (0) 23 9226 6031 WWW.WESTGROUP.CO.UK SALES@WESTGROUP.CO.UK	
TITLE: MODULAR BLUE CHECK VALVE, 1/8" BARB INPUT AND OUTPUT, BUNA-N (NITRILE) SEALS, 3 PSI CRACKING PRESSURE					
		DIM'S mm[inch]	SCALE NTS	SIZE A4	SHEET 1 / 1
				DOCUMENT NUMBER E-C58-PG-1CB1CB-N3	REVISION 1

1

2

3

4

5

6