

1

2

3

4

5

6

A

A

B

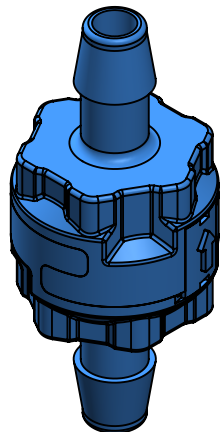
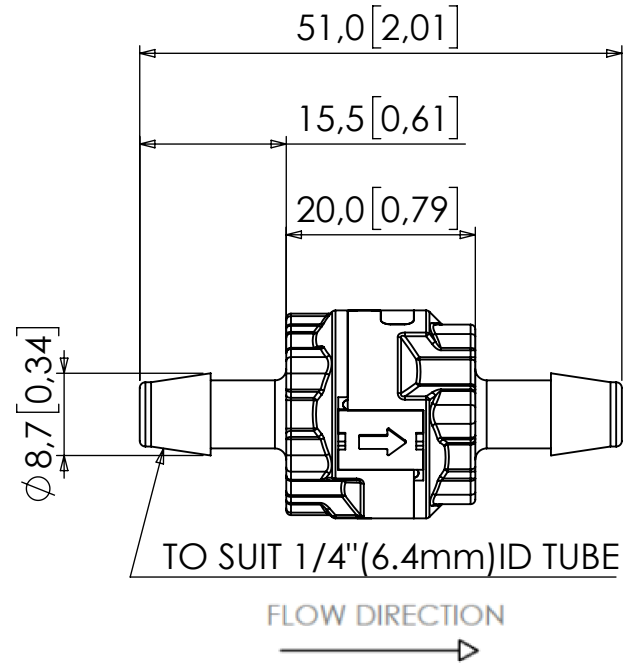
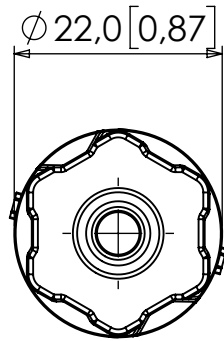
B


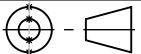
C

C

D

D



1				07/11/2025	FIRST RELEASE	
REV	CREATED	CHECKED	APPROVED	REV DATE	REVISION SUMMARY	
MATERIAL: GLASS FILLED POLYPROPYLENE, POLYPROPYLENE, BUNA-N (NITRILE), 302 STAINLESS STEEL						
THIS DRAWING IS CONFIDENTIAL AND IS THE PROPERTY OF THE WEST GROUP LTD AND MAY NOT BE REPRODUCED IN WHOLE OR IN PART, OR USED FOR ANY OTHER PURPOSE OTHER THAN THAT FOR WHICH IT IS SUPPLIED. ALL RIGHTS IN RESPECT OF PATENTS, DESIGN AND COPYRIGHTS RESERVED.					 WEST GROUP LTD, UK TEL: +44 (0) 23 9226 6031 WWW.WESTGROUP.CO.UK SALES@WESTGROUP.CO.UK	
TITLE: MODULAR BLUE CHECK VALVE, 1/4" BARB INPUT AND OUTPUT, BUNA-N (NITRILE) SEALS, 3 PSI CRACKING PRESSURE						
	DIM'S mm[inch]	SCALE NTS	SIZE A4	SHEET 1 / 1	DOCUMENT NUMBER E-C58-PG-1EB1EB-N3	REVISION 1

1

2

3

4

5

6