

1

2

3

4

5

6

A

A

B

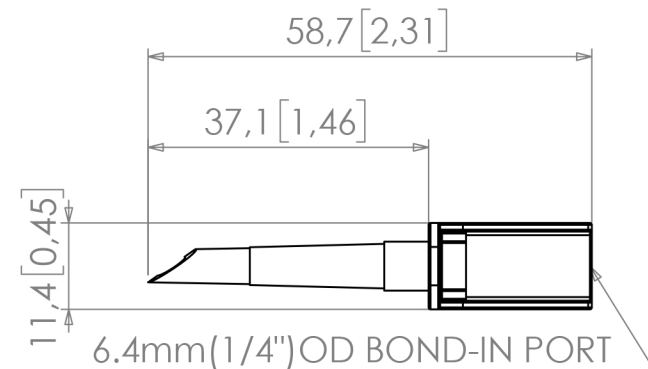
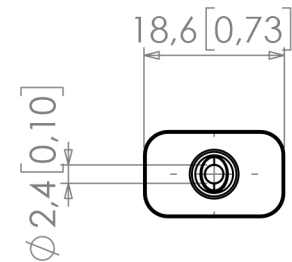
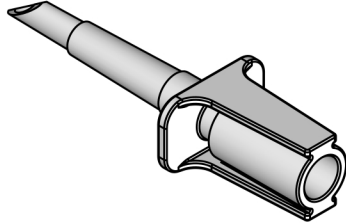
B

C

C

D

D



1	Wayne Tsang	-		19/07/2019	
REV	CREATED	CHECKED	APPROVED	REV DATE	REVISION SUMMARY
MATERIAL: WHITE ABS					
THIS DRAWING IS CONFIDENTIAL AND IS THE PROPERTY OF THE WEST GROUP LTD AND MAY NOT BE REPRODUCED IN WHOLE OR IN PART, OR USED FOR ANY OTHER PURPOSE OTHER THAN THAT FOR WHICH IT IS SUPPLIED. ALL RIGHTS IN RESPECT OF PATENTS, DESIGN AND COPYRIGHTS RESERVED.				WEST GROUP LTD, UK TEL: +44 (0) 23 9226 6031 WWW.WESTGROUP.CO.UK SALES@WESTGROUP.CO.UK	
TITLE: SPIKE TO 1/4" OD BOND IN PORT (NON-VENTED), WHITE ABS					
		DIM'S mm[inch]	SCALE NTS	SIZE A4	SHEET 1 / 1
				DOCUMENT NUMBER E-F-160273	REVISION 1

1

2

3

4

5

6