

1

2

3

4

5

6

A

A

B

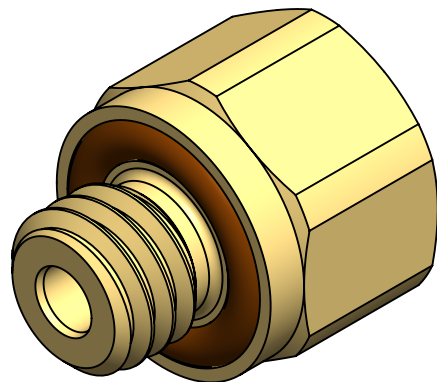
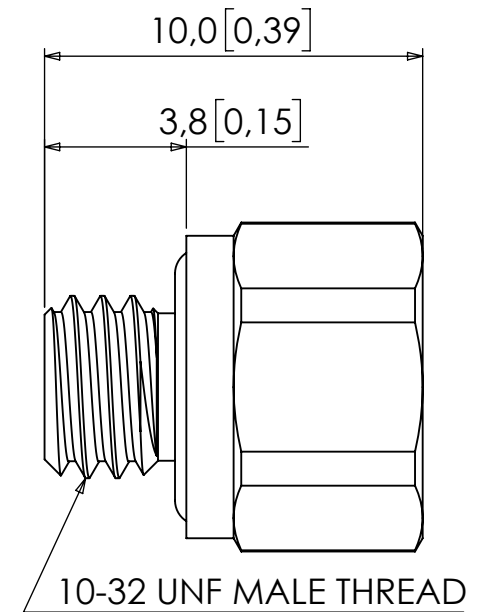
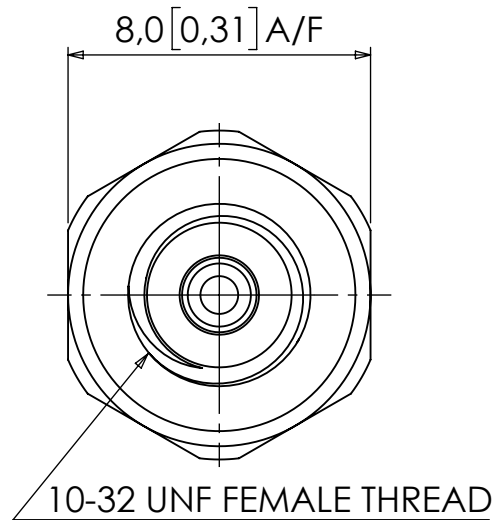
B

C

C

D

D



1				15/09/2025	FIRST RELEASE
REV	CREATED	CHECKED	APPROVED	DWG DATE	REVISION SUMMARY

MATERIAL: BRASS, FKM

THIS DRAWING IS CONFIDENTIAL AND IS THE PROPERTY OF THE WEST GROUP LTD AND MAY NOT BE REPRODUCED IN WHOLE OR IN PART, OR USED FOR ANY OTHER PURPOSE OTHER THAN THAT FOR WHICH IT IS SUPPLIED. ALL RIGHTS IN RESPECT OF PATENTS, DESIGN AND COPYRIGHTS RESERVED.



WEST GROUP LTD, UK
 TEL: +44 (0) 23 9226 6031
 WWW.WESTGROUP.CO.UK
 SALES@WESTGROUP.CO.UK

TITLE: PLAIN BRASS STRAIGHT ADAPTOR, FKM SEAL, 10-32 UNF MALE THREAD TO 10-32 UNF FEMALE THREAD

		DIM'S mm[inch]	SCALE NTS	SIZE A4	SHEET 1 / 1	DOCUMENT NUMBER E-F-1U1UF-PB-V	REVISION 1
--	--	-------------------	--------------	------------	----------------	-----------------------------------	---------------

1

2

3

4

5

6