

1

2

3

4

5

6

A

A

B

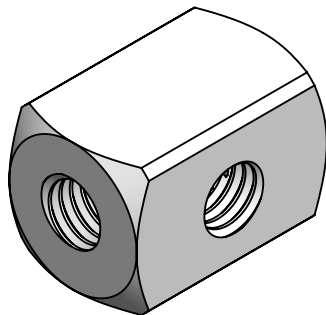
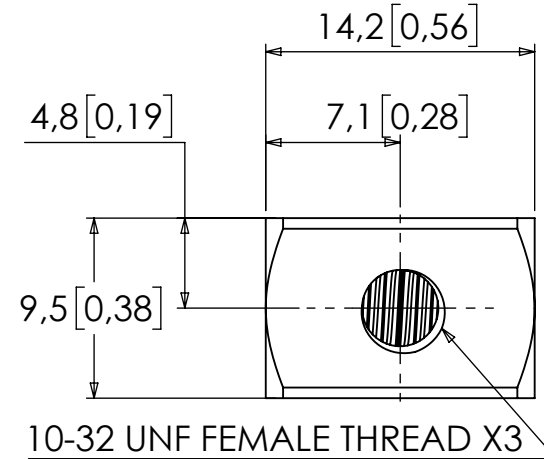
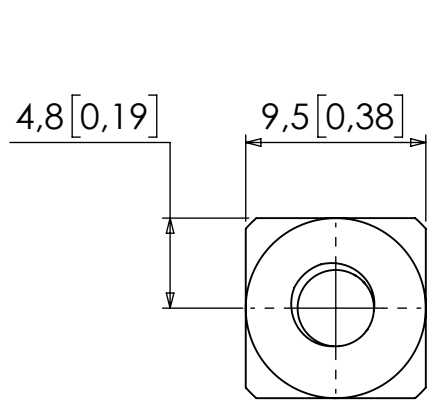
B


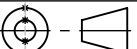
C

C

D

D



1				15/09/2025	FIRST RELEASE
REV	CREATED	CHECKED	APPROVED	DWG DATE	REVISION SUMMARY
MATERIAL: NICKEL PLATED BRASS					
THIS DRAWING IS CONFIDENTIAL AND IS THE PROPERTY OF THE WEST GROUP LTD AND MAY NOT BE REPRODUCED IN WHOLE OR IN PART, OR USED FOR ANY OTHER PURPOSE OTHER THAN THAT FOR WHICH IT IS SUPPLIED. ALL RIGHTS IN RESPECT OF PATENTS, DESIGN AND COPYRIGHTS RESERVED.					
WEST GROUP LTD, UK TEL: +44 (0) 23 9226 6031 WWW.WESTGROUP.CO.UK SALES@WESTGROUP.CO.UK					
TITLE: NICKEL PLATED BRASS EQUAL TEE ADAPTOR, 10-32 UNF FEMALE THREAD					
	DIM'S mm[inch]	SCALE NTS	SIZE A4	SHEET 1 / 1	DOCUMENT NUMBER E-F-1UF1UF1UF-ENP
					REVISION 1

1

2

3

4

5

6