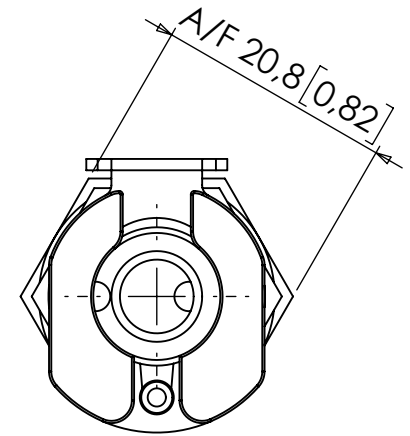


TO SUIT 3.2MM (1/8") ID TUBE X2



1				05/07/2019		
REV	CREATED	CHECKED	APPROVED	REV DATE	REF No.	REVISION SUMMARY

MATERIAL: MEDICAL GRADE ABS, BUNA-N

THIS DRAWING IS CONFIDENTIAL AND IS THE PROPERTY OF THE WEST GROUP LTD AND MAY NOT BE REPRODUCED IN WHOLE OR IN PART, OR USED FOR ANY OTHER PURPOSE OTHER THAN THAT FOR WHICH IT IS SUPPLIED. ALL RIGHTS IN RESPECT OF PATENTS, DESIGN AND COPYRIGHTS RESERVED.

WEST GROUP LTD, UK
 TEL: +44 (0) 23 9226 6031
 WWW.WESTGROUP.CO.UK
 SALES@WESTGROUP.CO.UK



TITLE: IN-LINE 1/8" ID DUAL TUBE PANEL MOUNT HOSE BARB SOCKET, NON-VALVED, 3/32" FLOW, MEDICAL GRADE ABS.

	DIM'S mm[inch]	SCALE NTS	SIZE A4	SHEET 1 / 1	DOCUMENT NUMBER E-Q-160547	REVISION 1
--	-------------------	--------------	------------	----------------	-------------------------------	---------------