

1

2

3

4

5

6

A

A

B

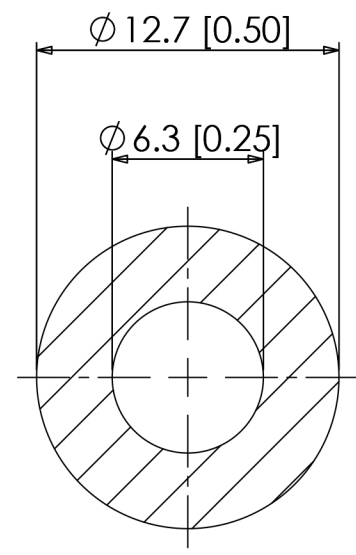
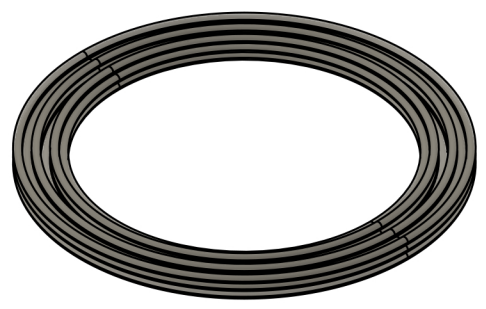
B

C

C

D

D



CROSS SECTION OF HOSE

1	Wayne Tsang <small>Digitally signed by Wayne Tsang DN: cn=Wayne Tsang, o=West Group, email=wayne.tsang@westgroup.co.uk</small>			28/10/2019		
REV	CREATED	CHECKED	APPROVED	REV DATE	REF No.	REVISION SUMMARY
MATERIAL: PLATIUM CURED SILICONE						
THIS DRAWING IS CONFIDENTIAL AND IS THE PROPERTY OF THE WEST GROUP LTD AND MAY NOT BE REPRODUCED IN WHOLE OR IN PART, OR USED FOR ANY OTHER PURPOSE OTHER THAN THAT FOR WHICH IT IS SUPPLIED. ALL RIGHTS IN RESPECT OF PATENTS, DESIGN AND COPYRIGHTS RESERVED.					WEST GROUP LTD, UK TEL: +44 (0) 23 9226 6031 WWW.WESTGROUP.CO.UK SALES@WESTGROUP.CO.UK	
TITLE: 12.7 MM (1/2") OD X 6.3 MM ID SILICONE TUBE, NATURAL COLOUR - 25M						
		DIM'S mm[inch]	SCALE NTS	SIZE A4	SHEET 1 / 1	DOCUMENT NUMBER E-T-160120
						REVISION 1

